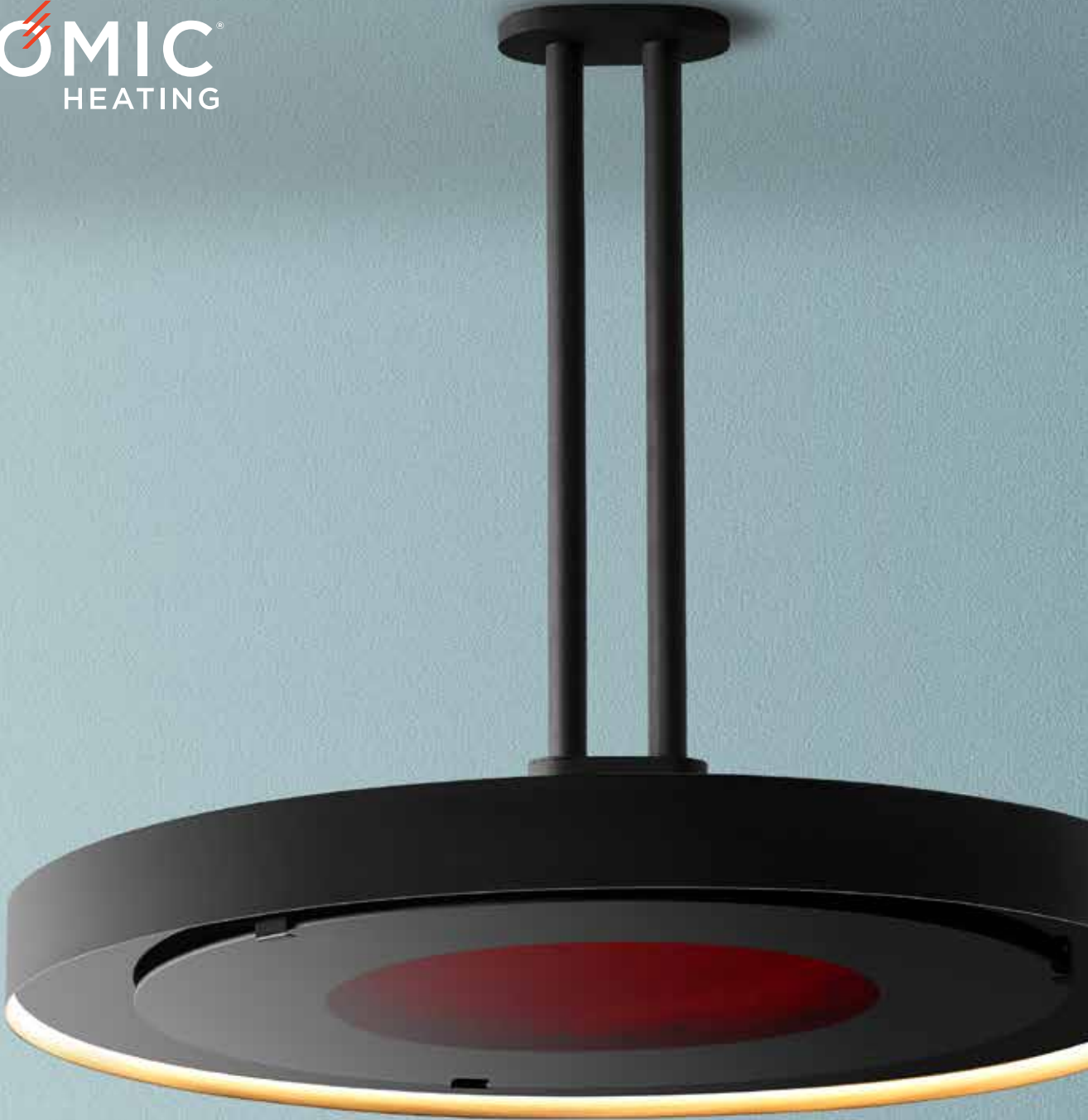


BROMIC
HEATING



ECLIPSE
SMART-HEAT™ ELECTRIC

ECLIPSE SMART-HEAT™ ELECTRIC

Dim the lights and turn up the heat with our Eclipse Smart-Heat™ Electric heater. Available in six unique mounting options, the new Bromic Eclipse Smart-Heat™ series adds style, warmth and light to design-focused outdoor spaces.

UNIQUE DESIGN

Elegantly understated design that complements any design-focused outdoor environment.

FLEXIBLE MOUNTING OPTIONS

Minimal vertical clearance requirements and a wide range of wall, ceiling, and free-standing options to suit any space.

PREMIUM CONSTRUCTION

Superior components, ensuring longevity of use and aesthetic appeal for years to come.



PRECISE CONTROL

Accurately adjust the heat output (0/33/66/100%) for complete control over the level of comfort.

DIMMABLE LIGHT

Complete flexibility over level of brightness for the right amount of ambience.

CERAMIC SCREEN

Spreads heat evenly across any area while minimising light emission from the heating element.



WALL MOUNT



600MM STRAIGHT CEILING MOUNT POLE



600MM STRAIGHT CEILING MOUNT POLE



600MM CURVED CEILING MOUNT POLE



COMPATIBLE WITH
SMART-WIRELESS
TECHNOLOGY



EXTEND YOUR COMFORT OUTDOORS
WITH THE SUPERIOR HEAT AND
AWARD-WINNING DESIGN OF OUR
SMART-HEAT™ OUTDOOR HEATERS.

600MM TWIN CEILING MOUNT POLE

ECLIPSE SMART-HEAT™ ELECTRIC PENDANT

MODEL NUMBER

PRODUCT CODE	2620621
FUEL TYPE	ELECTRIC (3400W)
COLOR	MATTE BLACK
MATERIAL	PREMIUM, DOUBLE COATED STEEL
HEAT AREA	13M ²
LED COLOR	WARM WHITE - DIMMABLE
RATED CURRENT & VOLTAGE	220-240 V - A.C. - 50-60 HZ
MINIMUM FLOOR CLEARANCE	CEILING 2438MM WALL 2438MM

MOUNTING OPTIONS

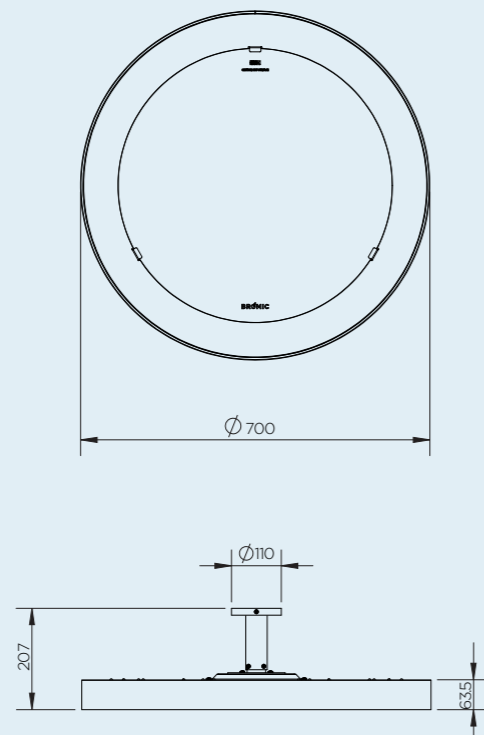
WALL MOUNT	2620636 (OPTIONAL)
200MM STRAIGHT CEILING MOUNT POLE	2620631 (OPTIONAL)
600MM STRAIGHT CEILING MOUNT POLE	2620632 (OPTIONAL)
600MM TWIN STRAIGHT CEILING MOUNT POLE	INCLUDED
600MM CURVED CEILING MOUNT POLE	2620634 (OPTIONAL)
1200MM STRAIGHT CEILING MOUNT POLE	2620635 (OPTIONAL)

CONTROL OPTIONS

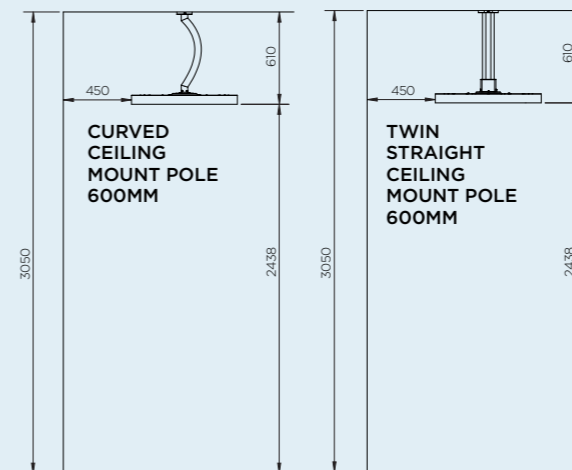
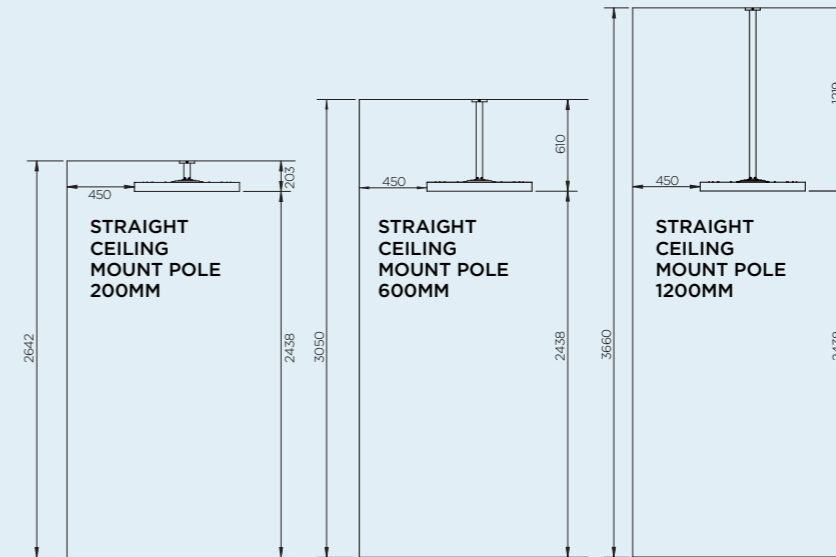
DIMMER CONTROL	INCLUDED
42 CHANNEL REMOTE	2620277 (OPTIONAL)

Measurements displayed within this catalogue are minimum requirements for installation.
Bromic takes no responsibility for incorrect or non-compliant installations.
All measurements in this catalogue are displayed in mm.

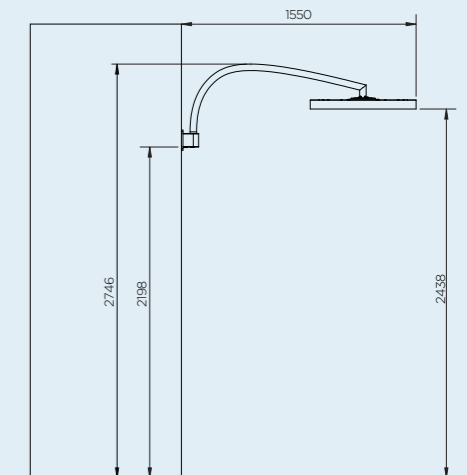
PRODUCT MEASUREMENTS



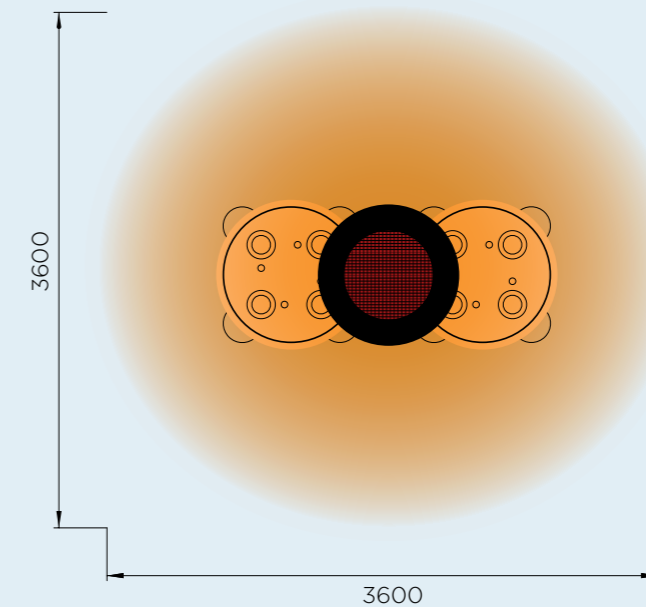
CEILING MOUNTING OPTIONS



WALL MOUNTING



HEAT AREA



3400W SERIES
HEATING APPROXIMATELY 13M²
3400W HEATING POWER

*HEAT AREA DEPENDENT ON AMBIENT TEMPERATURE AND WIND. OPTIMUM CONDITIONS EXPERIENCED AT APPROX 15.5°C AND IN A LOW WIND COVERED ENVIRONMENT.

EXPLORE THE POSSIBILITIES

With the Bromic Smart-Heat™ complimentary design service, designing a solution to optimize heating for your outdoor spaces is simple.

Learn more...

[BROMIC.COM/HEAT](https://www.bromic.com/heat)

[BROMIC.COM/HEAT](https://www.bromic.com/heat)

ASIA PACIFIC | NORTH AMERICA | EUROPE

Bromic pursues a policy of continuing improvement in design and performance of its products. The right is therefore reserved to vary specifications without notice.

04.2021